



# "DSB" Maple Top Tables with RISERS

w/ 1 3/4" thick Hard Rock Maple Top  
w/ Stainless Steel Base



**NSF Listed when ordered w/  
Vertical Coved Corners**

1 3/4" MAPLE TOP w/ STAINLESS STEEL BASE					
24"WIDE	Qty	30"WIDE	Qty	36"WIDE	Qty
DSB01		DSB06		DSB11	
DSB02		DSB07		DSB12	
DSB03		DSB08		DSB13	
DSB03A		DSB08A		DSB13A	
DSB04		DSB09		DSB14	
DSB04A		DSB09A		DSB14A	
DSB05		DSB10		DSB15	

## FEATURES:

- \* 1 3/4" Thick Hard Rock Maple Top, style "SB" with 4" Coved Riser on Back and Both Ends
- \* Maple top is finished with Varnique Finish Clear with optional penetrating oil finish
- \* Stainless Steel Base and Bracing type 300 stainless steel, with # 3 polish, satin finish
- \* Bracing adjustable to desired height
- \* Adjustable bullet feet
- \* Shipped knocked-down, easy - to - assemble
- \* Optional drawers, casters, pot racks, etc. available
- \* All models are approved by the National Sanitation Foundation

## MATERIAL:

- Top: Laminated Hard Rock Maple  
 Bracing: 1 1/4" Round O.D. 18 gauge type 300 tubular stainless steel # 3 polish, satin finish  
 Legs: 1 5/8" Round O.D. 16 gauge type 300 tubular stainless steel # 3 polish, satin finish  
 Gussets: Stainless Steel  
 Feet: 1" adjustable stainless steel bullet feet

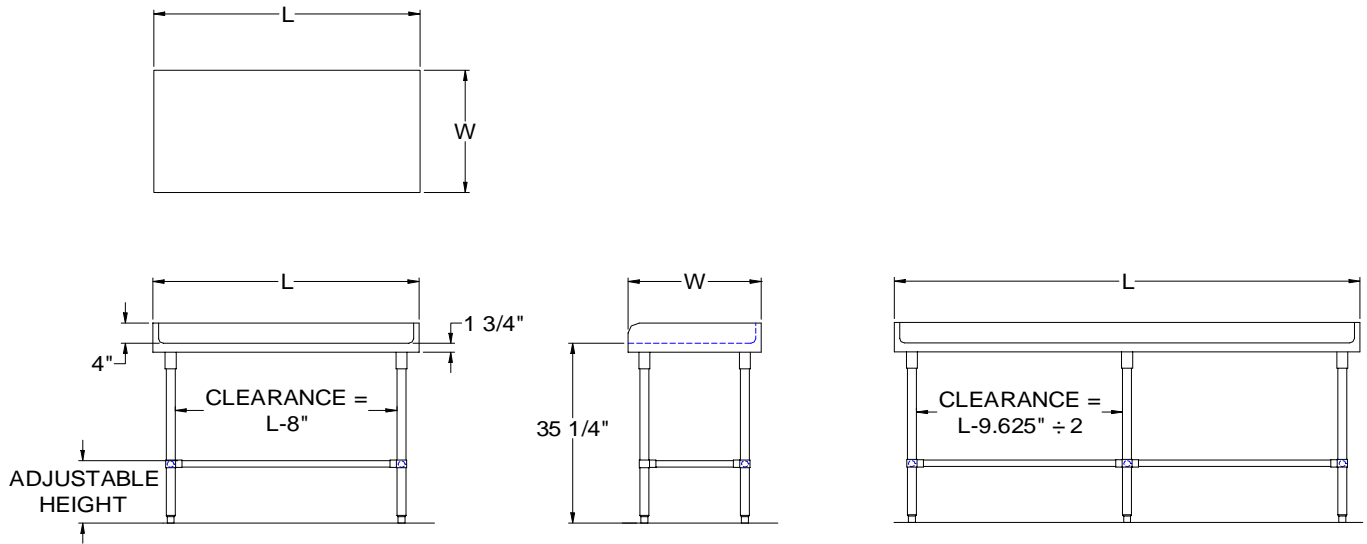
## OPTIONAL ACCESSORIES

	MODEL #	Qty
STAINLESS STEEL FEET		
DRAWER		
DRAWER LOCK		
CASTERS		
OVERSHELVES		
POT RACK		
VERTICAL COVED CORNER		

## John Boos & Co

315 South First Street - Effingham, IL 62401  
 Phone: 217-347-7701 - Fax: 217-347-7705  
 Email: sales@johnboos.com - Web-site: www. johnboos.com

## DETAILED SPECIFICATIONS



All units ship unassembled for reduced shipping cost.

Units 7 ft. and larger are furnished with six legs.

All dimensions are typical.

Tolerance +/- .500".

### 1-3/4" MAPLE TOP & STAINLESS STEEL BASE

L	24" WIDE	WT.	30" WIDE	WT.	36" WIDE	WT.
48	DSB01	114	DSB06	136	DSB11	153
60	DSB02	134	DSB07	157	DSB12	179
72	DSB03	153	DSB08	179	DSB13	206
84	DSB03A	172	DSB08A	203	DSB13A	233
96	DSB04	191	DSB09	226	DSB14	259
108	DSB04A	215	DSB09A	253	DSB14A	290
120	DSB05	239	DSB10	280	DSB15	321

### John Boos & Co

315 South First - Effingham, IL 62401 Phone: 217-347-7701 - Fax: 217-347-7705

Email: sales@johnboos.com - Web-site: www.johnboos.com



March 2009

**John Boos** is constantly engaged in a program of improving products and therefore reserves the right to change specification without prior notice